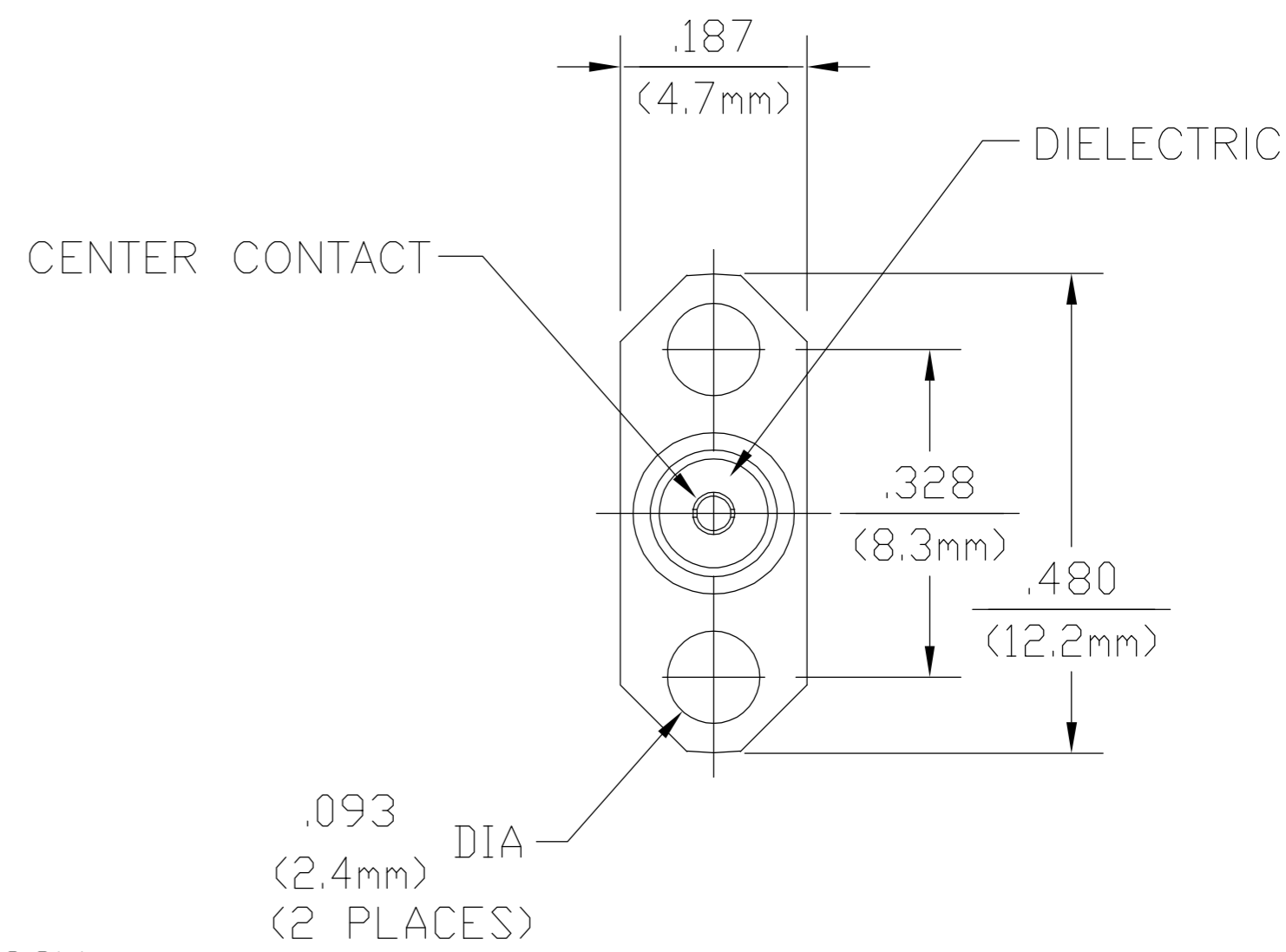
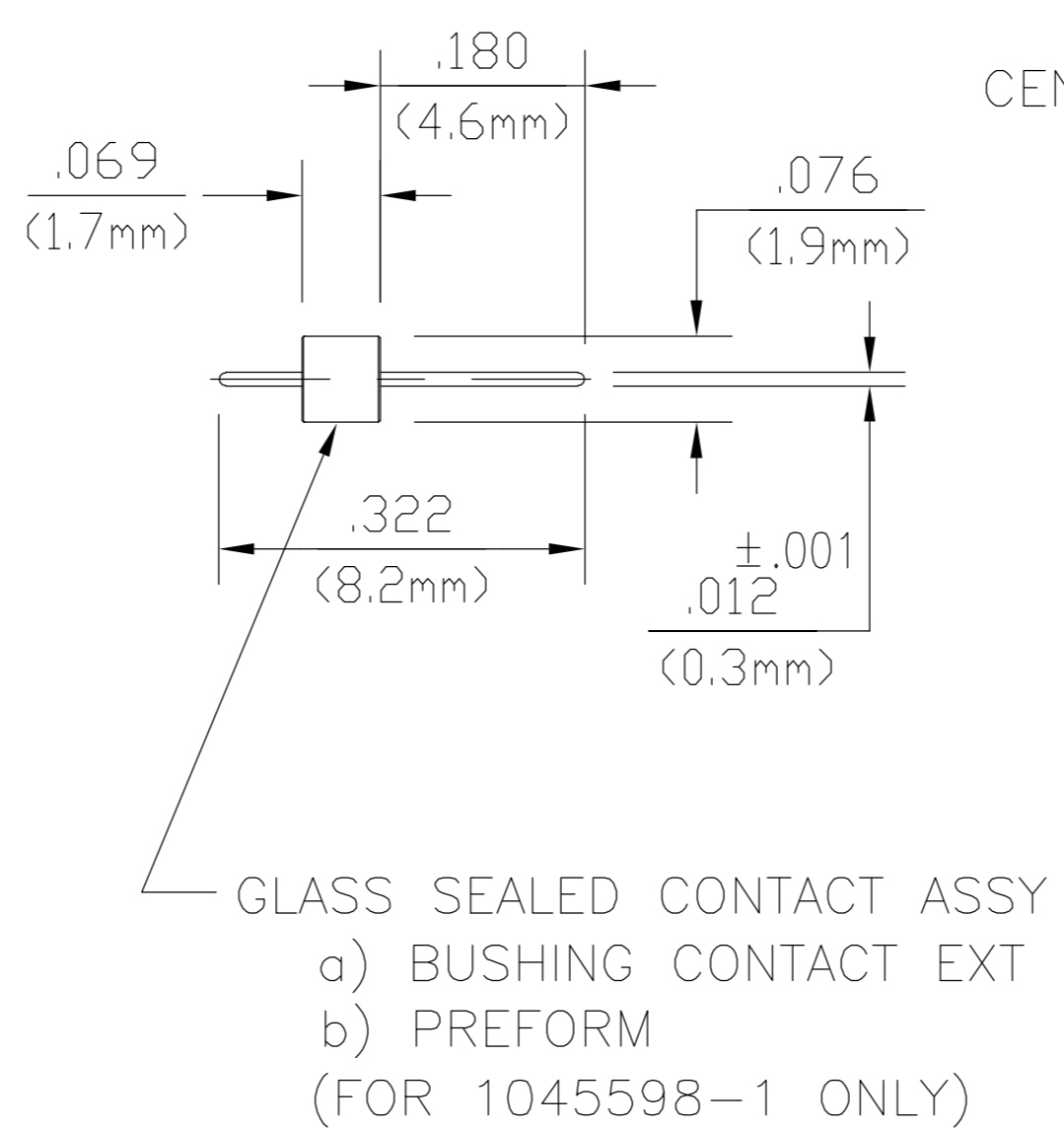
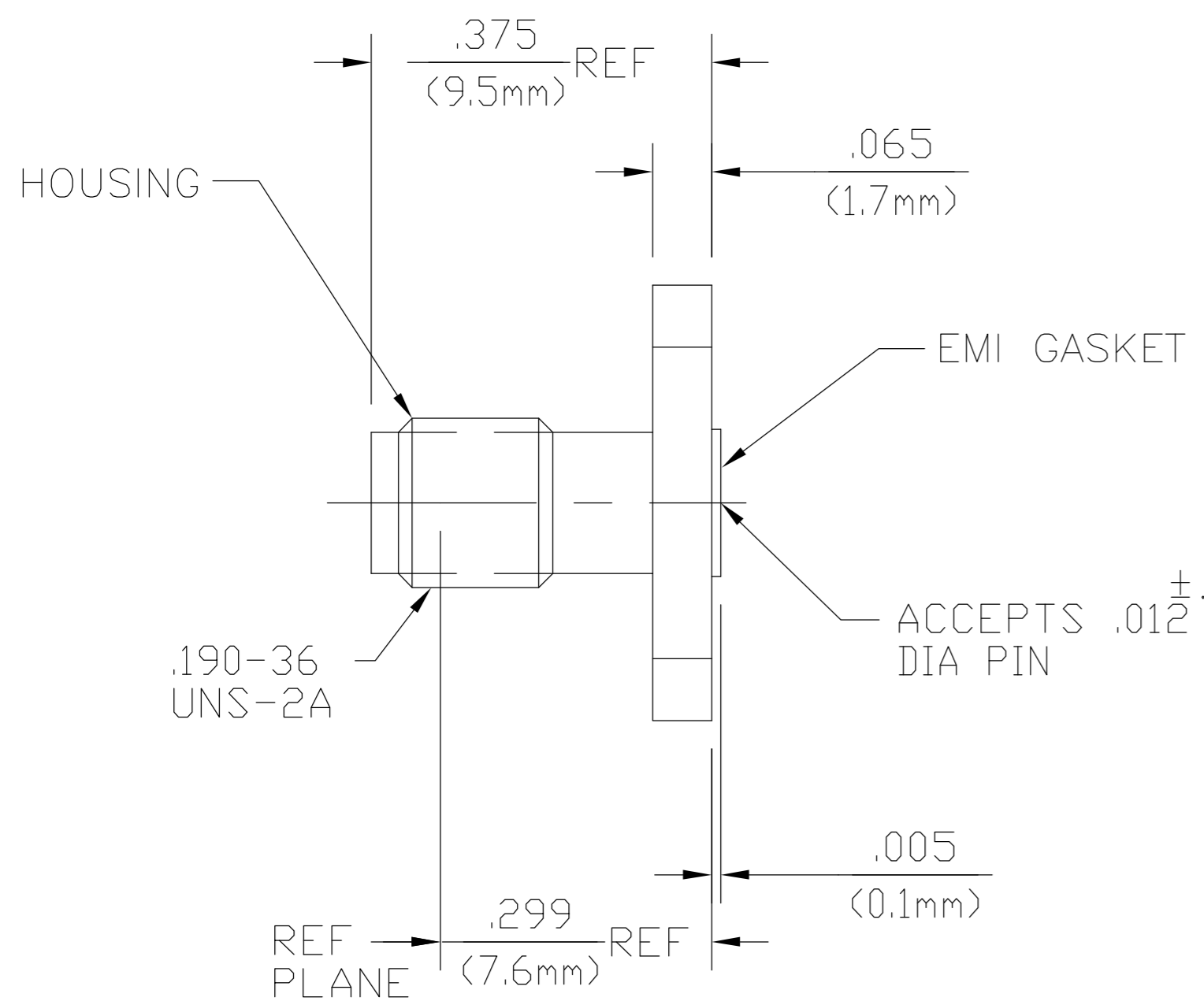


THIS DRAWING IS UNPUBLISHED. RELEASED FOR PUBLICATION  
 © COPYRIGHT BY TYCO ELECTRONICS CORPORATION. ALL RIGHTS RESERVED.

LOC	DIST	REVISIONS			
P	LTR	DESCRIPTION	DATE	DWN	APVD
DF	-	B	REV PER ECO-06-002431	06FEB06	PY FB



COMPONENT	MATERIAL	FINISH
HOUSING	STAINLESS STEEL PER ASTM-A484 AND ASTM-A582, TYPE 303	PASSIVATE PER QQ-P-35
DIELECTRIC	TFE FLUOROCARBON PER ASTM-D-1457	N/A
CENTER CONTACT	BERYLLIUM COPPER PER ASTM-196, ALLOY C17300, CONDITION H	GOLD PLATE PER MIL-G-45204
BUSHING CONTACT EXT	IRON-NICKEL-COBALT ALLOY PER MIL-I-23011 CLASS 1 (KOVAR)	GOLD PLATE PER MIL-G-45204
EMI GASKET	CONDUCTIVE ELASTOMETERS PER MIL-G-83528	N/A
PREFORM	GLASS	N/A

DESCRIPTION	PART NO
WITHOUT GLASS SEALED CONTACT ASSY	1045598-2
W/GLASS SEALED CONTACT ASSY	1045598-1

THIS DRAWING IS A CONTROLLED DOCUMENT.

DWN P. YEAGER 16JAN2006	Tyco Electronics Corporation Harrisburg, Pa 17105-3608			
CHK F. BLASICK 17JAN06				
APVD F. BLASICK 17JAN06				
PRODUCT SPEC				
APPLICATION SPEC	NAME			
WEIGHT -	SIZE A2	CAGE CODE 00779	DRAWING NO C=1045598	RESTRICTED TO -
CUSTOMER DRAWING	SCALE 6:1	SHEET 1 OF 1	REV B	

TOLERANCES UNLESS OTHERWISE SPECIFIED:  
 0 PLC ± -  
 1 PLC ± -  
 2 PLC ± -  
 3 PLC ± .005  
 4 PLC ± -  
 ANGLES ± 1'

MATERIAL SEE TABLE FINISH SEE TABLE